

MX 32

Single or Dual Channel Controller

- Easy installation
- 1 or 2 channels
- Flexible programming
- Wall mounted

Introducing the MX32 measurement and alarm unit suitable for the protection of equipment and personnel in atmospheres which may contain flammable and toxic gases. Available with one or two channels, the MX 32 offers tailor-made detection capabilities and exceptional programming possibilities compatible with a wide range of fixed gas detectors.

The total cost of ownership is enhanced by easy installation and operating flexibility.

2 in 1 performance

The MX 32 measurement and alarm unit for the detection of combustible or toxic gases is a "dual single-channel" system. It is available with one measuring channel and the ability and flexibility to add a second channel. This operating flexibility ensures the protection of your personnel and your plant.

Increased safety

The MX 32 is equipped with two independent, instantaneous alarm thresholds.

Remarkable reliability

SMC and microcontroller technologies guarantee the quality of signal processing, the user interface and the activation of alarms. Protection against electromagnetic interference (EMI) is built in.

Compliance with standards

The MX 32 complies with European standards 50054, 50081, 50082 and with low-voltage directives.



Enhanced ergonomics

User-friendly front panel

- "Power on" indicator lights **A**
- Buzzer **B**
- Manual or automatic acknowledgement
- 3 control keys **C**

Easy installation

- Small-sized wall-mounted enclosure that is easy to install
- Protected front panel
- Sealed polycarbonate housing (IP 66)

Simple operation

- Liquid crystal display **D**
- Simple programming via keypad
- Power supply 230 V AC or 115 V AC (24 V DC back-up)

Variety of connections

- Combustible gas (catalytic) detectors
- 4-20 mA detectors-transmitters (2 or 3 wires)
- Fire detectors
- Flame detectors

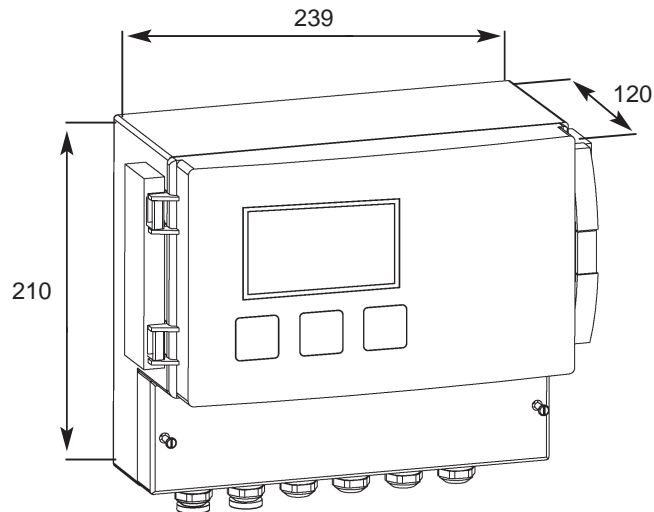
Safety precautions

- Visual alarms **E**
- Red LED for two gas alarm thresholds per channel
- Yellow LED for fault alarm per channel

Type:	Wall mounted controller
Function:	Multichannel monitor
Capacity:	1 or 2 channels
Measurement:	Continuous
Display:	Liquid crystal, fixed or scrolling
Alarms:	2 independent alarm thresholds per channel Individual programming, increasing or decreasing levels Manual or automatic acknowledgement
Visual alarms:	2 red LED + gas alarms per channel 1 yellow LED fault per channel
Audio alarm:	Buzzer
Relays:	2 gas alarm relays per channel One common relay for faults Type of contact: NO or NC, programmable by jumpers
Power supply:	115 V or 230 V AC 24 V DC
Power consumption:	30 W
Relay max. resistive	
Breaking capacity:	2 A /230 V AC / 30 V DC
Weather protection:	IP 66

Detector connections per channel	
Bridge type:	1 detector: maximum distance 300 m (3 x 1,5 mm ²) 2 detectors: utilization of a junction box (Please consult us)
Detector with transmitter:	One to five 2-wire detectors, 4-20 mA One 3-wire detector, 4-20 mA Cable 3 x 1.5 mm ² (32 Ω max. in loop mode)
Fire detectors:	One to five detectors: cable 2 x 0.65 mm ²
Flame detectors:	One 3-wire detector Cable 3 x 1.5 mm ² (4,8 Ω max. in loop mode)

Miscellaneous	
Weight:	1,750 g
Acknowledgement:	Manual or automatic
Operating temperature:	-20°C to +55°C
Relative humidity:	5% to 95% RH
<i>Complies with EMC and low-voltage directives</i>	



INDUSTRIAL SCIENTIFIC CORPORATION

CORPORATE HEADQUARTERS

1001 Oakdale Road • Oakdale, PA • 15071-1500 • USA
www.indsci.com



AMERICAS

Tel.: +1-412-788-4353
Fax: +1-412-788-8353
info@indsci.com

ASIA PACIFIC

Tel.: 86-10-8497-3970
Fax: 86-10-8497-3971
sales@isc-cn.com

EUROPE

Tel.: 33-3-21-60-80-80
Fax: 33-3-21-60-80-00
info@groupoldham.com

AUSTRALIA / NZ

Tel.: +61-2-8870-3400

GERMANY

Tel.: +49-231 / 9241-0

MIDDLE EAST

Tel.: +971-50-455-8518

SINGAPORE

Tel.: +65-6561-7377

UNITED KINGDOM

Tel.: +44-0-1782-562002

CZECH REPUBLIC

Tel.: +420-234-622-222/3

ITALY

Tel.: +39-011-3801371

NETHERLANDS

Tel.: +31-76-5427-609

SWITZERLAND

Tel.: +41-26-652-51-18